

ENGLISH



Instruction manual
insect control unit

i-trap 120E WP



ALCOCHEM
HYGIENE

About the i-trap 120E WP

The information in this service manual is based on the latest information, and is provided subject to alteration. We reserve the right to change the construction and/or configuration of the unit at any time without obligation to modify earlier versions .

Please read this Manual carefully before taking any action with regard to your i-trap 120E WP.

Congratulations on the purchase of this high quality electric insect-trap. Before using this unit we ask you to read this manual carefully. If you have any questions afterwards please contact Alcochem Hygiene, see www.insect-trap.net for details.

The information in this manual is based upon the latest information, and is provided subject to alteration. We reserve the right to change the construction and/or configuration of the unit at any time without obligation to modify earlier versions.
Store this manual carefully for future reference.

Safety

When using any electrical equipment, basic precautions to reduce the risk of fire, electric shock and personal injury must always be followed including, but not limited to, the following:

- Consider the work area environment. Keep the work area clean and well lit.
- The unit should be connected to mains power (110-240 V ~ 50-60 Hz or 220-240 V ~ 50-60 Hz)
- Do not use in the presence of flammable materials.
- Do not damage the power cable. Keep it away from heat, oils and sharp edges.
- Maintain the unit with care. Keep the unit clean for effective and safe performance. Follow instructions for changing accessories.
- Disconnect mains power when not in use, before servicing, and when changing accessories or components.
- Make a habit of checking to see that service tools are removed from the fly control system before turning it on.
- The use of any accessory or attachment other than recommended in these operating instructions may present a risk of personal injury.
- The unit complies with relevant safety rules.
- Repairs should only be carried out by qualified persons using original spare parts. Failure to comply with this direction may result in considerable danger to the user.
- Use a safe mains connector with a proper earth pin.
- Wiring in the fly control system meets safety standard EN 60335-2-59
- Always leave repairs (*other than cleaning, glue board replacement or replacing the lamp*) to your dealer/distributor.

Note: *Only use lamps and spare parts from Alcochem Hygiene for service and maintenance.*

Receipt of equipment

While unpacking, check for any signs of shipment damage and, if found, notify both transporter and supplier in writing within 8 days of receipt with full details of the damage that has occurred and retain the equipment and packing materials for inspection.

- Check that all parts have been received as ordered.
- Make sure that all packaging is removed from the unit before use.



Installation

To achieve maximum effectiveness, the following installation notes must be followed:

- Choose a place where the unit can be reached and cleaned, that is at least 1.2 m off the ground and out of the reach of children
- Avoid areas where obstacles will limit the ability of insects to reach the unit.
- Avoid air currents from fans or air-conditioners, and avoid direct sunlight.
- Use good quality mounting materials.
- Use a safe mains connector with earth pin.

Note: insect control unit should never be placed directly above uncovered food!!

Maintenance/Replacement

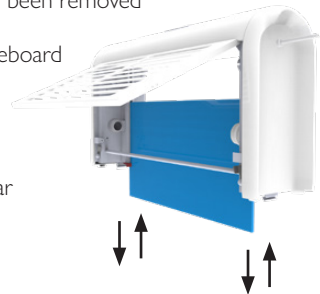
The **i-trap 120E WP** insect trap requires little maintenance other than cleaning, and replacing the glueboard and lamp.

1) Cleaning

- a) Disconnect the unit from the mains.
- b) Remove dead insects from the collection tray.
- c) Wipe the collection tray and casing clean with a damp cloth or one moistened with methylated spirits.

2) Changing the Glueboard [C]

- a) The glueboard can be replaced once the collection tray has been removed
- b) Remove the old glueboard and insert a new glueboard.
The protective sheet must be removed before the new glueboard is inserted in the unit.
- c) Put the collection tray back in position.



3) Lamp replacement [E]

We recommend replacing the Astron UV-A lamps once every year before the main insect season starts:

The 15 watt Astron UV-A Shatterproof lamp should in any case be replaced after 9000 burning hours.

- a) Disconnect the unit from the mains power.
- b) Remove the collection tray
- c) Remove the front grid from the unit by clicking it out of its slotted position
- d) Take the lamp(s) from the lamp holder and remove the lamp(s).
- e) Place a new lamp(s) in the lamp holder.
- f) Mount all replacement parts in reverse sequence.

4) Mounting options [D]

- a) Ceiling mounting : with 2 hooks on top of the unit (chains not in scope of supply)
- b) Wall (flag) mounting : with bracket (in scope of supply)

Note:

When replacing the lamp use components of the same specifications.

Only use genuine lamps and spare-parts supplied by Alcochem for service and maintenance.



A] Unit / Replacement parts

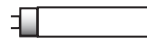
1x i-trap 120E WP



Replacement parts:

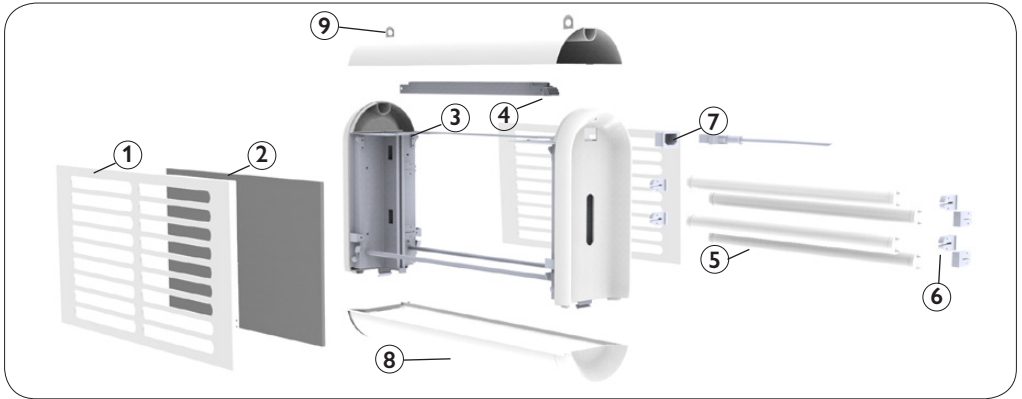


1x glueboard

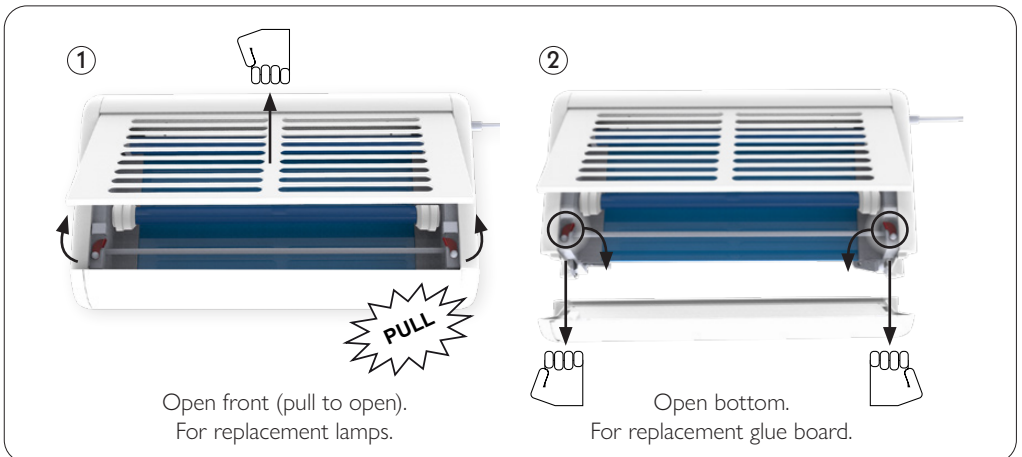


4x 15 watt UV-A
shatterproof

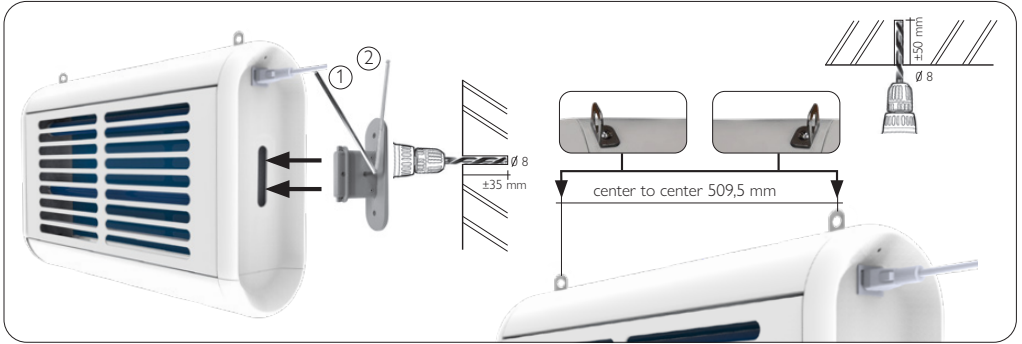
B] Exploded view (see explanation on back of this manual)



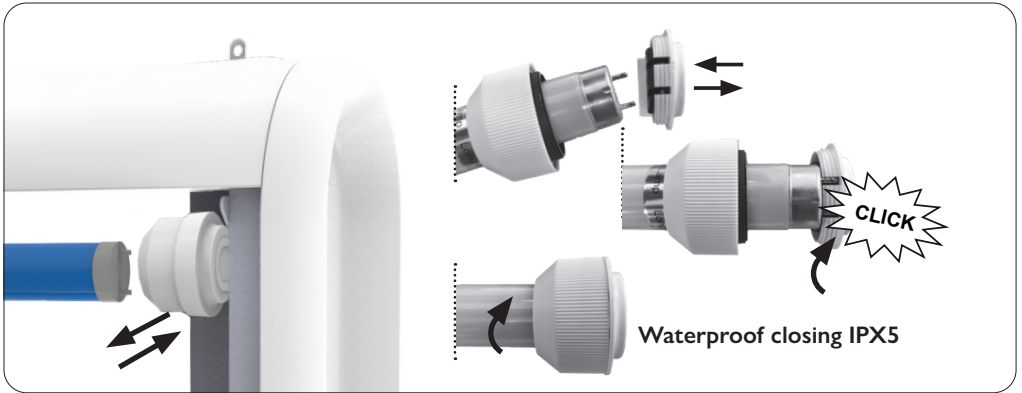
C] Opening the unit for replacements



D] Wall/Ceiling mounting



E] Lamp installation/replacement



F] Glue board install/replace



G] Specifications of the *i-trap 120E WP*

Area coverage (m ²)	: up to 120 m ² (depending on situation/location)
Light source (W)	: 4 x 15 watt Astron UV-A Shatterproof
Type of UV lamps	: UV Lamps RoHS certified
Electrical supply (V)	: 110-240 V ~ 50-60 Hz / 220-240 V ~ 50-60 Hz
Catch specifications	: By means of Temperature Optimized Glueboard
Power consumption	: 68 W
Weight (kg)	: 6
Material	: White coated steel casing
Degree of protection	: IPX5
Guarantee	: 2 years return to base
Int. building norm	: acc. EN 60335-2-59 int. std. for insect traps
Lamp life time (h)	: 9000
Dimensions (H x W x D)	: 365 x 580 x 150 mm (14.3 x 22.8 x 6 inches)
CE-approval	: Yes
Mounting position	: Wall or ceiling mounted
Cable	: Included
Service	: Unit can be serviced without special tools



Certification and declaration

The **i-trap 120E WP** complies with the EU-directive on machine safety.

The unit and spare part components are all in full compliance with the CE directive and the WEEE / RoHS directives. The EC declaration of conformity is listed below:

CE declaration of conformity.

We, Alcochem Hygiene,

Declare, under our responsibility, that the i-trap 120E WP insect control unit

complies with the following European standards:

- * EN 60335-1 Safety of household and similar electrical equipment.
Part 1: General requirements.
- * EN 60335-2/59 Safety of household and similar electrical appliances.
Part 2: Particular requirements for insect killers.
- * EN 55014 Limits and methods of measurement of radio disturbance characteristics of electrical motor-operated and thermal appliances for household and similar purposes, electrical tools and similar electric apparatus.
- * EN 61000-4-5 Surge immunity requirements (1.2/50 µs and 70/100 µs surge)
- * EN 61000-3-2 Electromagnetic compatibility (EMC) Part 3: Limits Section 2: Limits for harmonic current emissions (equipment input current <16 A per phase) (IEC 1000-3-2:1995)
- * DIN 40050 - IP classification for the units. WP units are executed in an IPX5 execution
- * EN 2015/863/EU Restriction of hazardous substances

All according to the definition of the Low Voltage Directive 73/23/EEC, the EMC Directive 2014/30/EU, the RoHS Directive 2015/863/EU and the 2012/19/EU /WEEE Directive

Spare parts list

Pos.	Description
2	Glueboard
5	4x 15 watt UV-A shatterproof

Attention

- indoor use only
- recycle lamps

For questions:

hygiene@alcochem.com

Exploded view

Descriptions of exploded view parts see section

Pos.	Description	Pos.	Description
1	Cover housing	6	Lamp holders IP X5
2	Glue board	7	Main plug
3	Housing	8	Bottom housing to change glueboard
4	Electronic Ballast	9	Mounting ceiling hooks
5	UV-A Lamps		



Article number of assembled unit: 2.05.0060



Alcochem Hygiene

NL Head office
Zeilmaker 4
3861 SM Nijkerk
The Netherlands

Phone +31 (0)33 299 4139
hygiene@alcochem.com